

LIFT 2200

LIFT 2200 was developed to meet our customers' needs and includes several exciting new features. The lift has a new, stable proprietary arm system, a working height of 21.5 metres and an increased lift capacity. LIFT 2200 is also available in a insulated version, LWI (live-line work insulator) for live work on power lines. LIFT 2200 makes it easy to negotiate difficult terrain and safely carry out maintenance and repairs to overhead power lines.

LIFT 2200

- **LWI-version - for live work with hot sticks on overhead power lines**
- **Radio control - no wiring in the working platform, a live work requirement**
- **Adjustable slide pads on the extension - for a more stable arm system with reduced play**
- **Increased lifting capacity - 25 % stronger than earlier models**
- **Improved working platform attachment - reduced play, improved stability**
- **Improved slew bearings - 100 % better slewing power with encapsulated roller bearings**

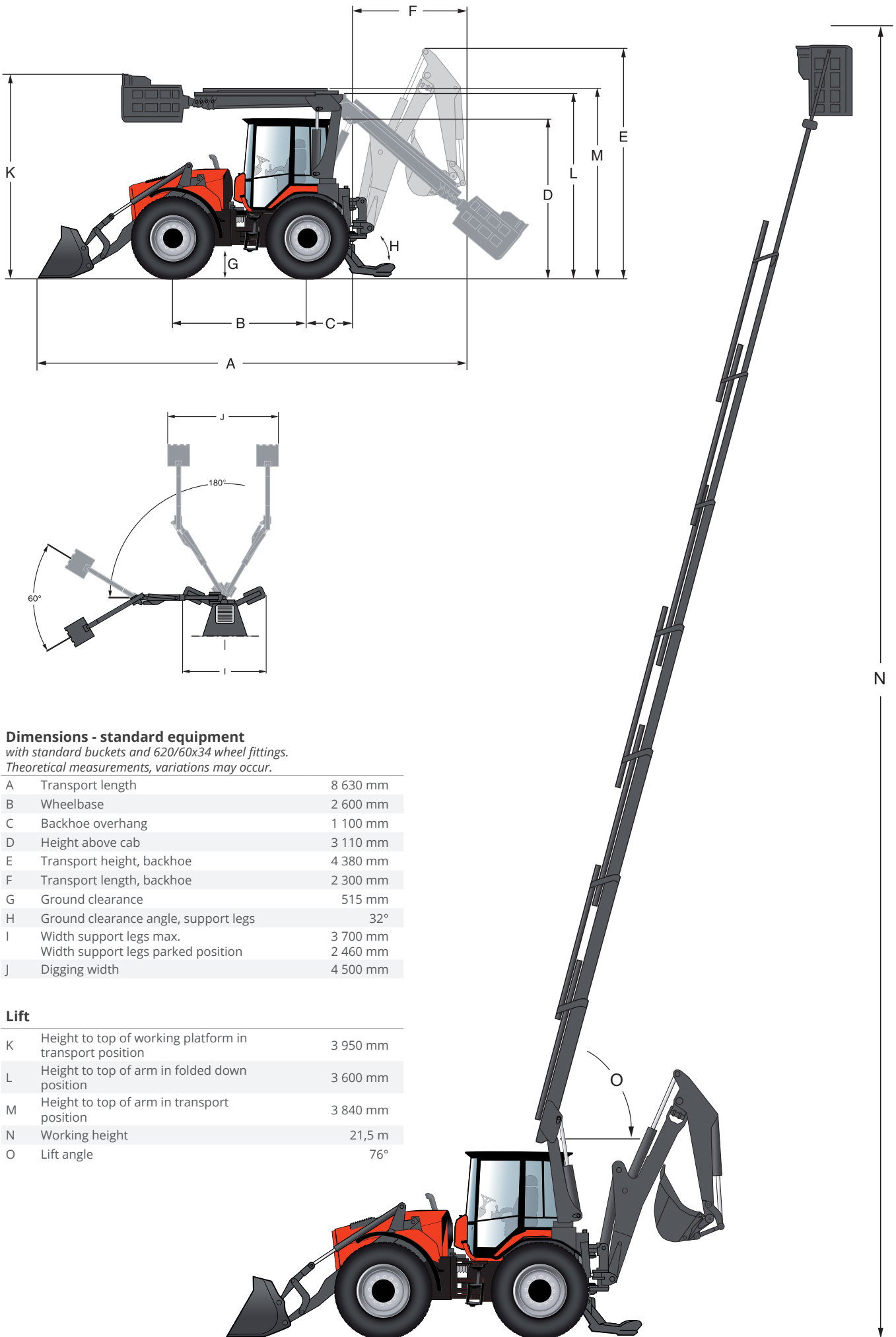
Dimensions

Max work height, manual extension or live work kit	21,5 m
Max work height, hydraulic extension	19,5 m
Max horizontal reach with 80 kg load in working platform	ca 14,5 m
Max horizontal reach with 200 kg load in working platform	ca 12 m
Number of hydraulic extensions	6 st
Number of manual extensions	1 st
Slew radius	360°
Slewing torque	15 kNm
Control system	Radio control
Attachment coupling	Quick coupler for working platform and pole grab

Weight

Weight	1 850 kg
Max load in working platform (regardless of work height)	2 persons + equipment or max. load 200 kg





Dimensions - standard equipment
 with standard buckets and 620/60x34 wheel fittings.
 Theoretical measurements, variations may occur.

A	Transport length	8 630 mm
B	Wheelbase	2 600 mm
C	Backhoe overhang	1 100 mm
D	Height above cab	3 110 mm
E	Transport height, backhoe	4 380 mm
F	Transport length, backhoe	2 300 mm
G	Ground clearance	515 mm
H	Ground clearance angle, support legs	32°
I	Width support legs max.	3 700 mm
	Width support legs parked position	2 460 mm
J	Digging width	4 500 mm

Lift

K	Height to top of working platform in transport position	3 950 mm
L	Height to top of arm in folded down position	3 600 mm
M	Height to top of arm in transport position	3 840 mm
N	Working height	21,5 m
O	Lift angle	76°

8018522EN C